

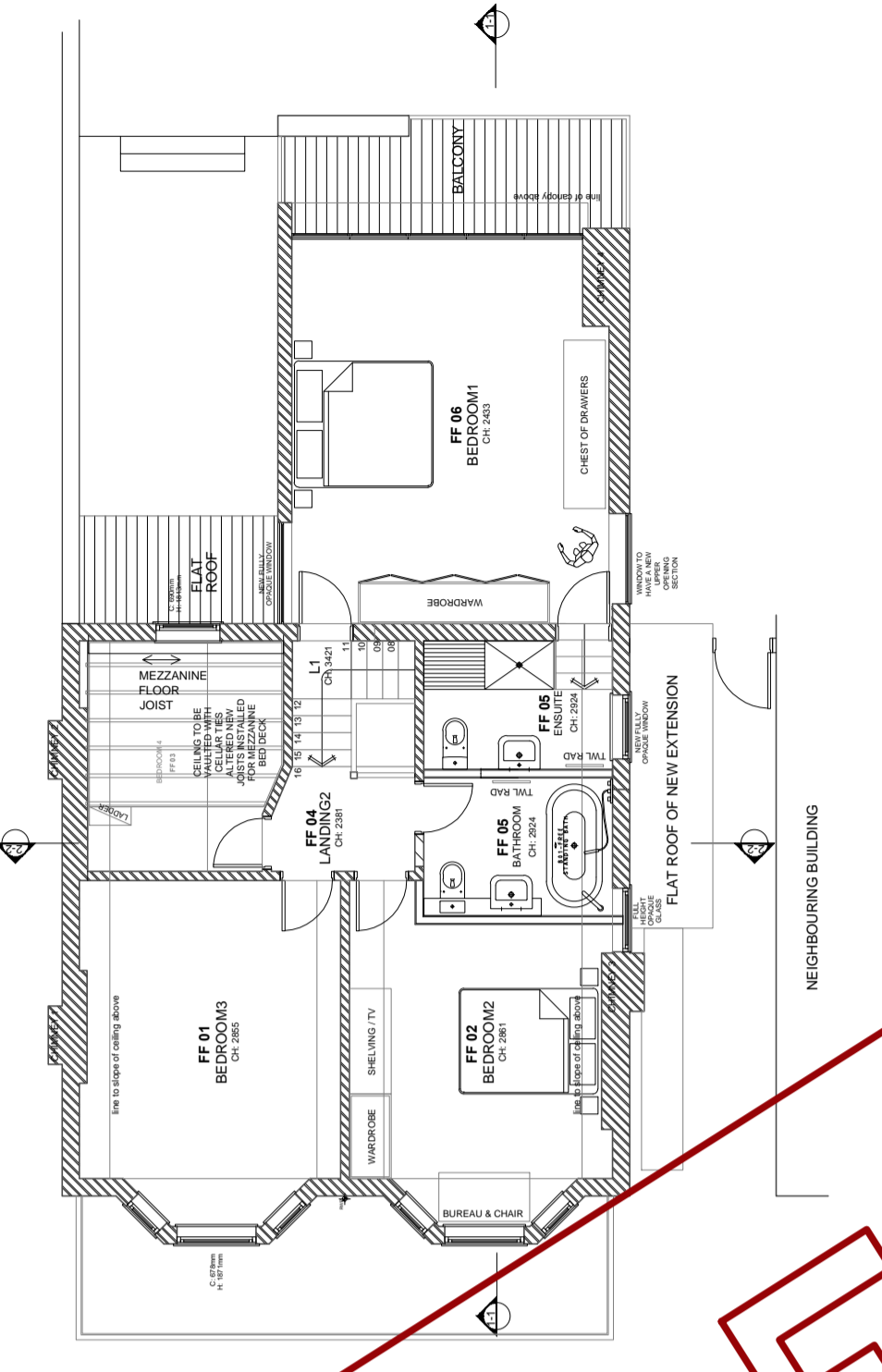
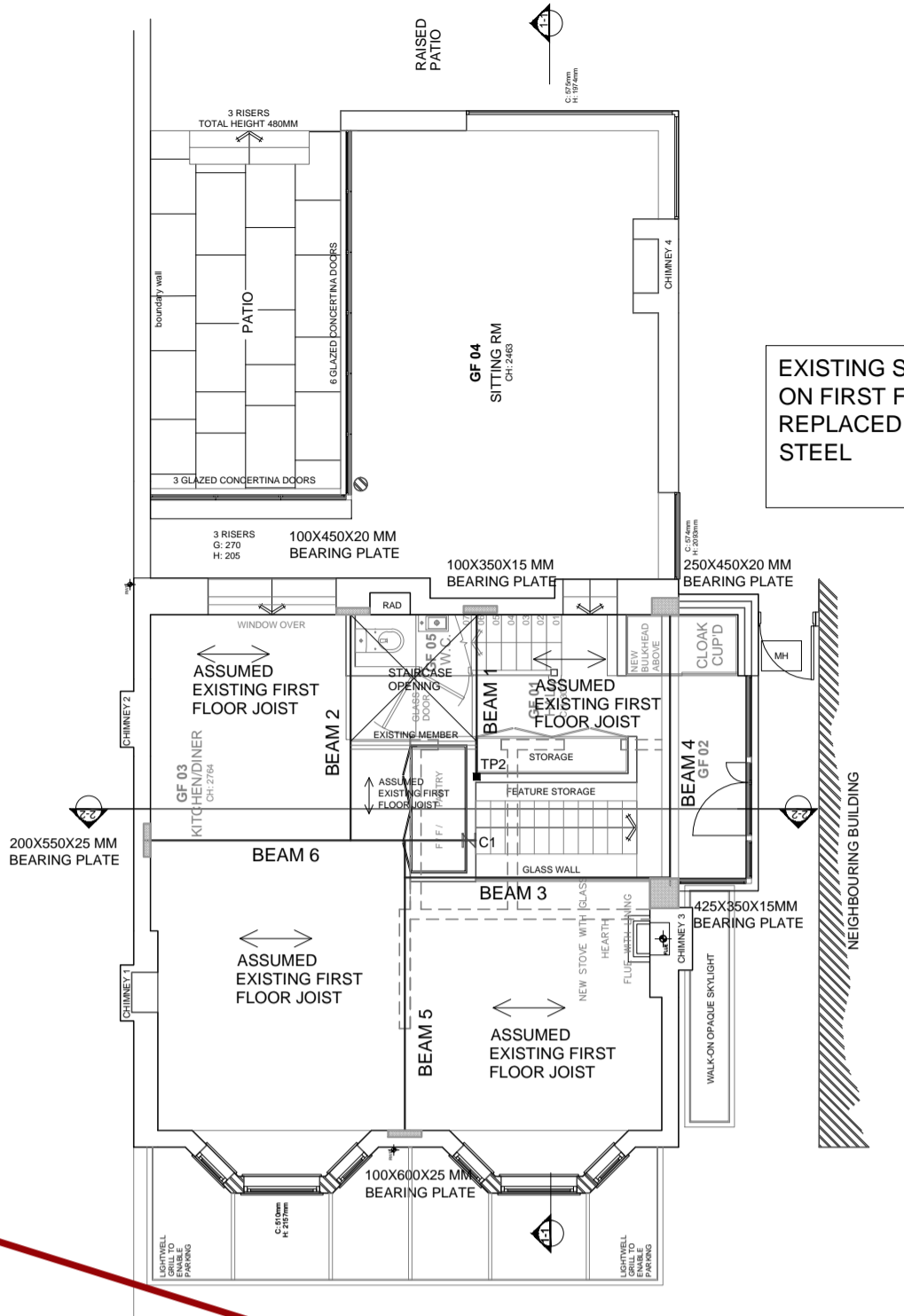
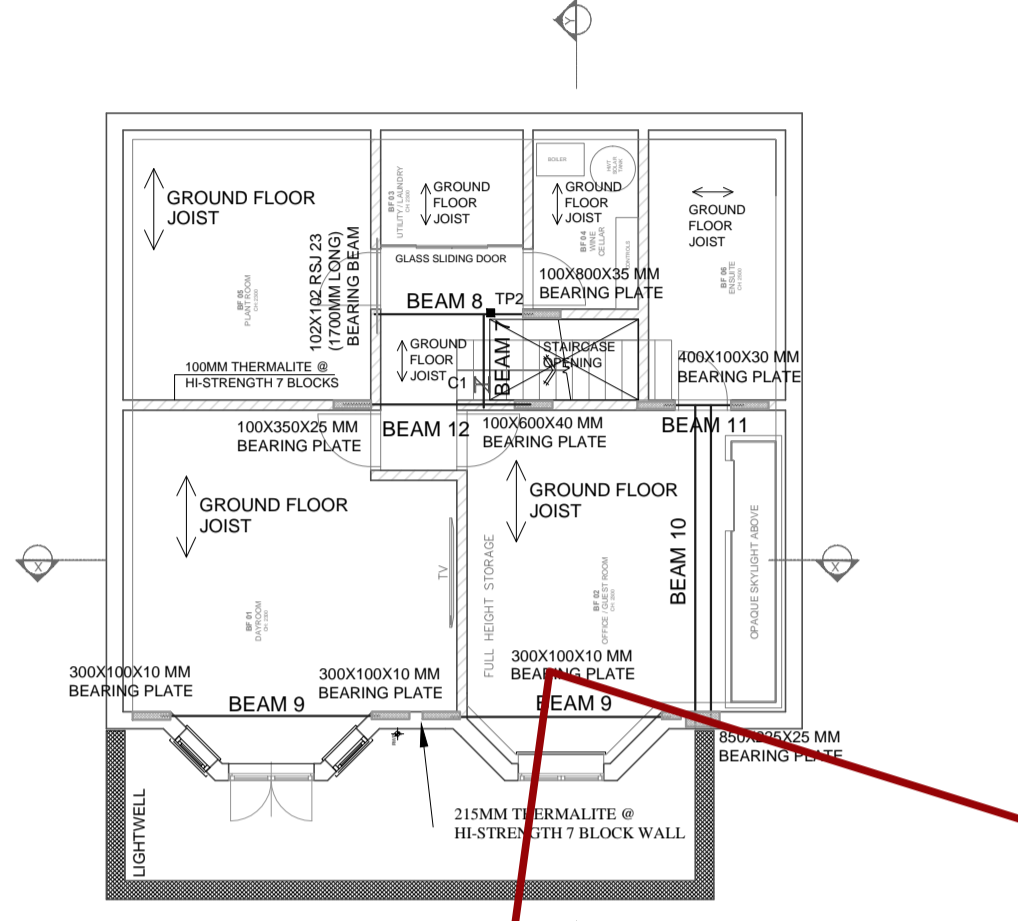
JOIST HANGERS
 ALL JOIST HANGERS TO BE FABRICATED WITH GALVANISED MILD STEEL AND TO COMPLY WITH BS5628 PART 1
 JOISTS TO BE NAILED TO JOIST HANGERS USING 32MM LONG GALVANISED PLASTERBOARD NAILS OR AS JOIST HANGER MANUFACTURER RECOMMENDS.

LATERAL RESTRAINT STRAPS
 GALVANISED M/S STRAP 30 X 5 X 1350 MM LONG WITH 150 MM RETURN IN CAVITY, NAILED WITH 75 MM LONG ROUND PLAIN NAILS. LATERAL RESTRAINT STRAPS AT 2.0M INTERVALS AND TO PASS OVER A MINIMUM OF THREE JOISTS.

VERTICAL RESTRAINT STRAPS
 THE VRS IS A SINGLE PIECE STRAP USED TO FIX WALLPLATES TO TIMBER AND MASONRY WALLS. POSITION MINIMUM 1000 MM LONG STRAP AGAINST MASONRY AND PLUG AND SCREW USING #8 SCREWS WITH RED RAWL PLUGS. FIX STRAP TO WALLPLATE USING 2NO. 3.75MM X 30MM SQUARE TWIST NAILS. VERTICAL RESTRAINT STRAPS AT 1.2 M INTERVALS.



MEZZANINE FLOOR	50X175MM @ 300c/c C16
BEAM 1	203X102X23UB GRADE43
BEAM 2	203X133X25UB GRADE43
BEAM 3	203X133X25UB GRADE43
BEAM 4	203X203X46UC GRADE43
BEAM 5	203X203X46UC GRADE43
BEAM 6	203X203X71UC GRADE43
COLUMN C1	152X152X37UC GRADE43
BEAM 7	152X152X37UC GRADE43
TIMBER POST TP1	100X100 C/16
BEAM 8	203X102X23UB GRADE43
BEAM 9	203X133X25UB GRADE43
BEAM 10	2NOS203X203X52UC GRADE43 BOLTED TOGETHER
BEAM 11	203X102X23UB GRADE43
BEAM 12	254X146X37 UB GRADE43

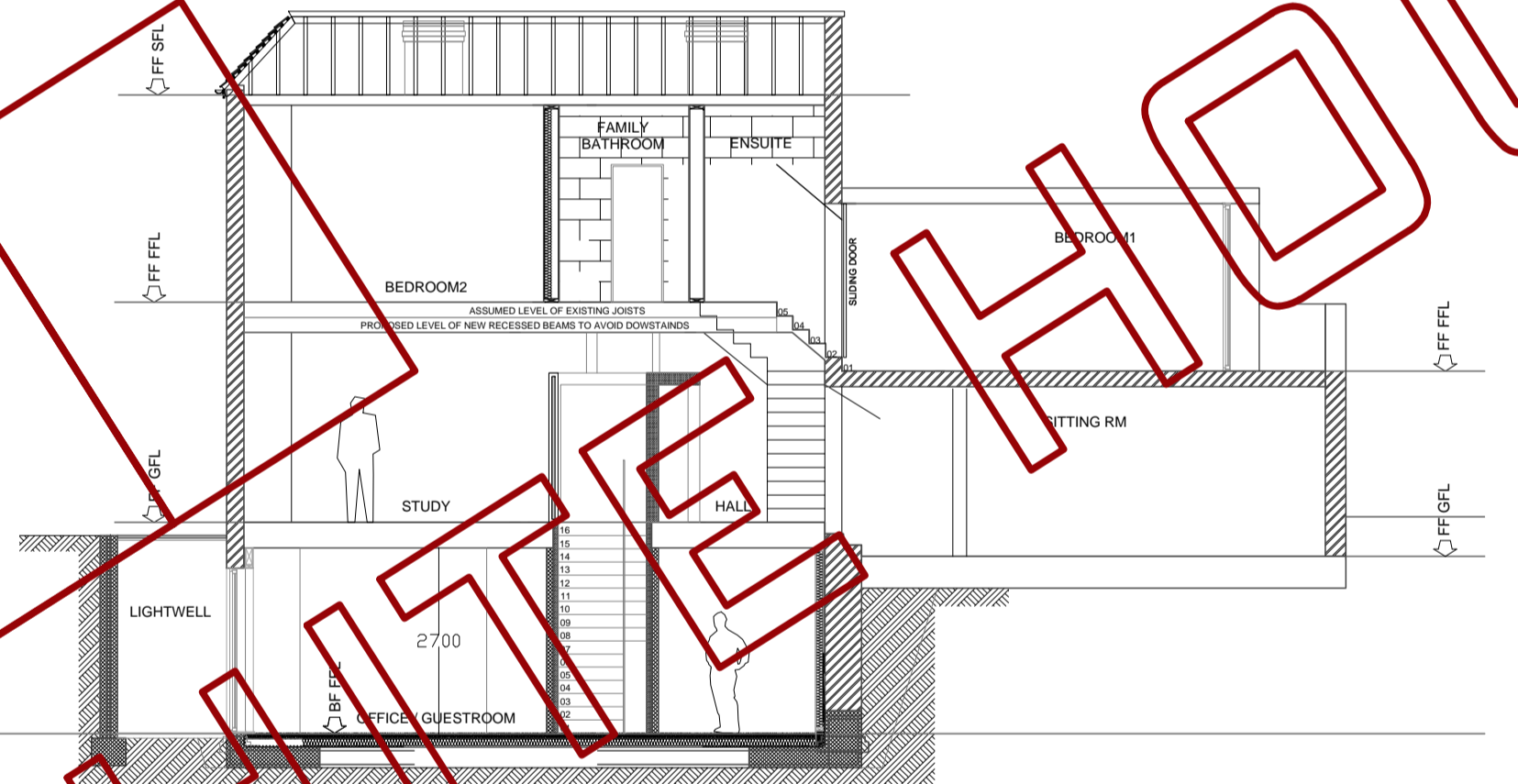
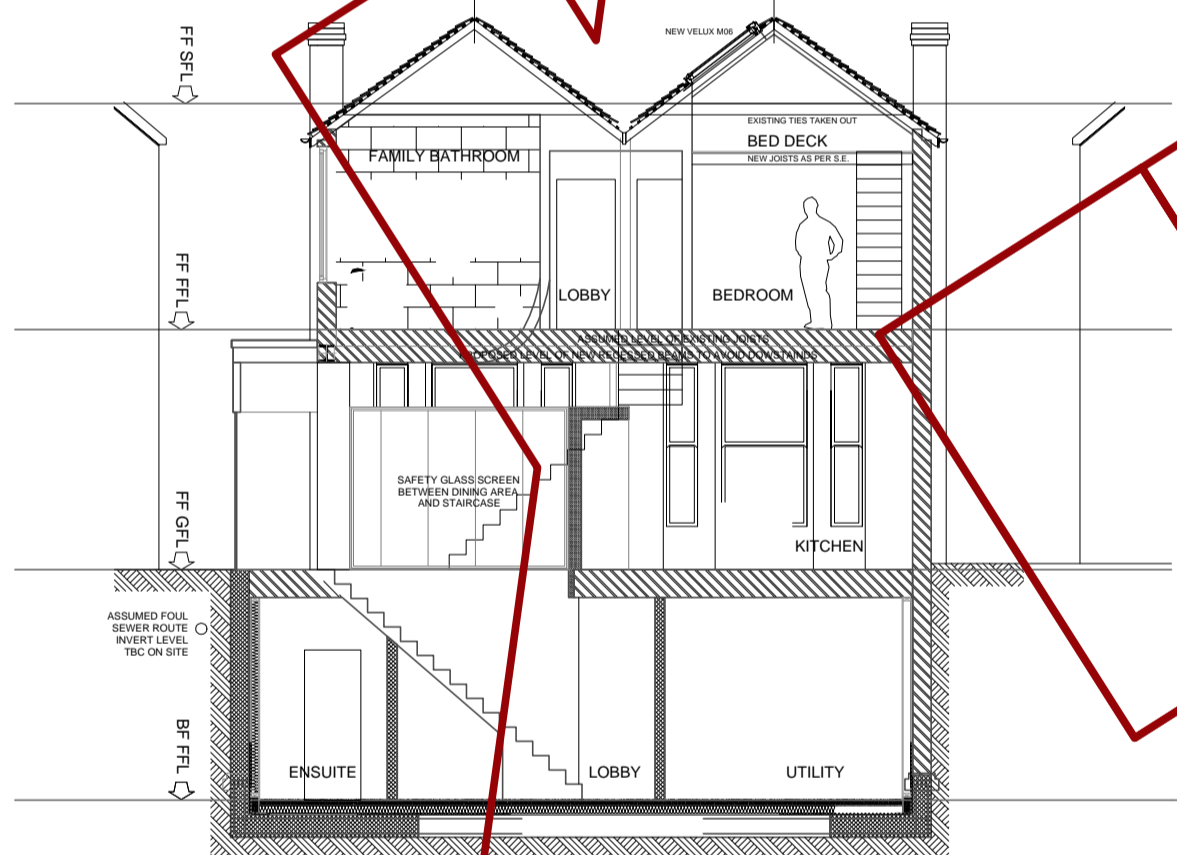


PROPOSED BASEMENT FLOOR PLAN 1:100
 (GROUND FLOOR STRUCTURAL MEMBERS)

PROPOSED GROUND FLOOR PLAN 1:100
 (FIRST FLOOR STRUCTURAL MEMBERS)

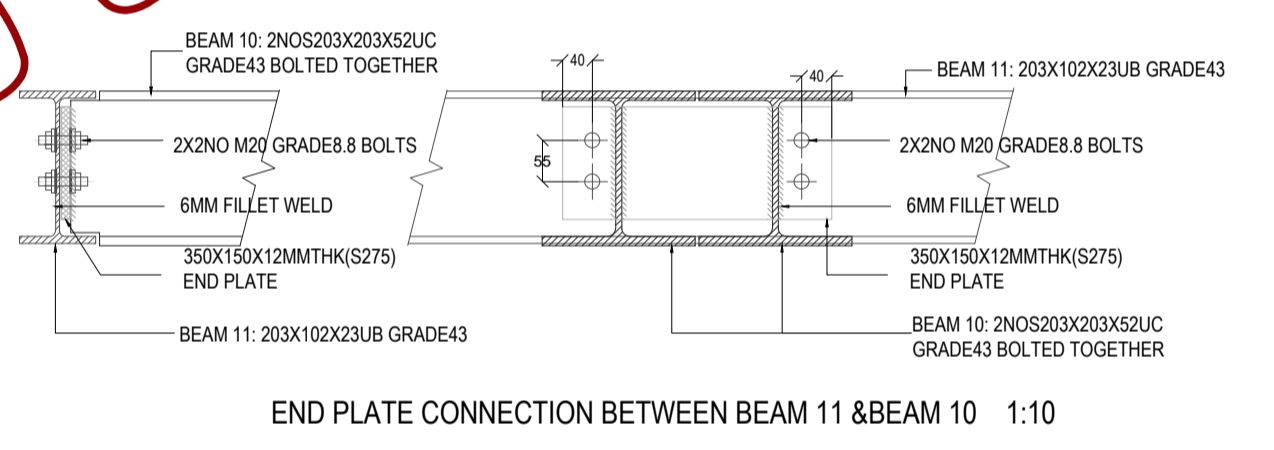
PROPOSED FIRST FLOOR PLAN 1:100
 (FIRST FLOOR CEILING LEVEL STRUCTURAL MEMBERS)

PROPOSED ROOF PLAN 1:100

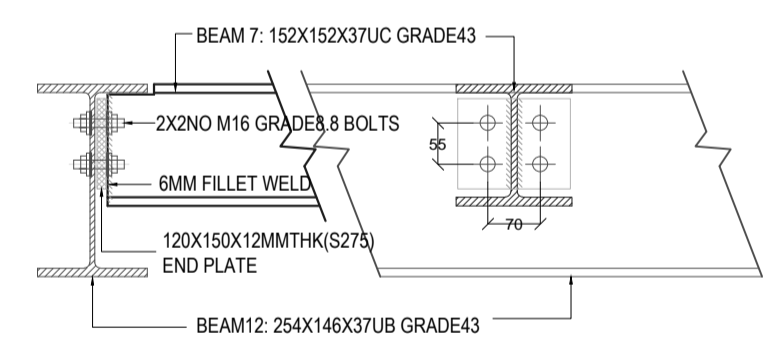


SECTION X-X' SCALE 1:100

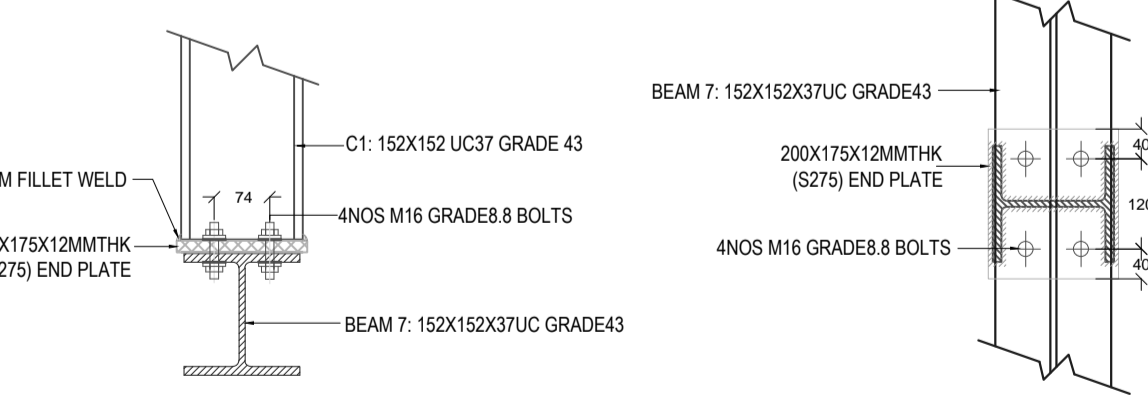
SECTION Y-Y' SCALE 1:100



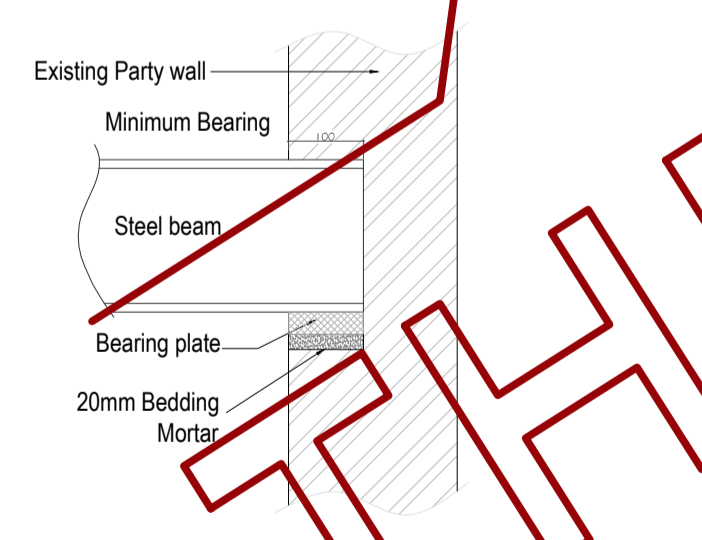
END PLATE CONNECTION BETWEEN BEAM 11 & BEAM 10 1:10



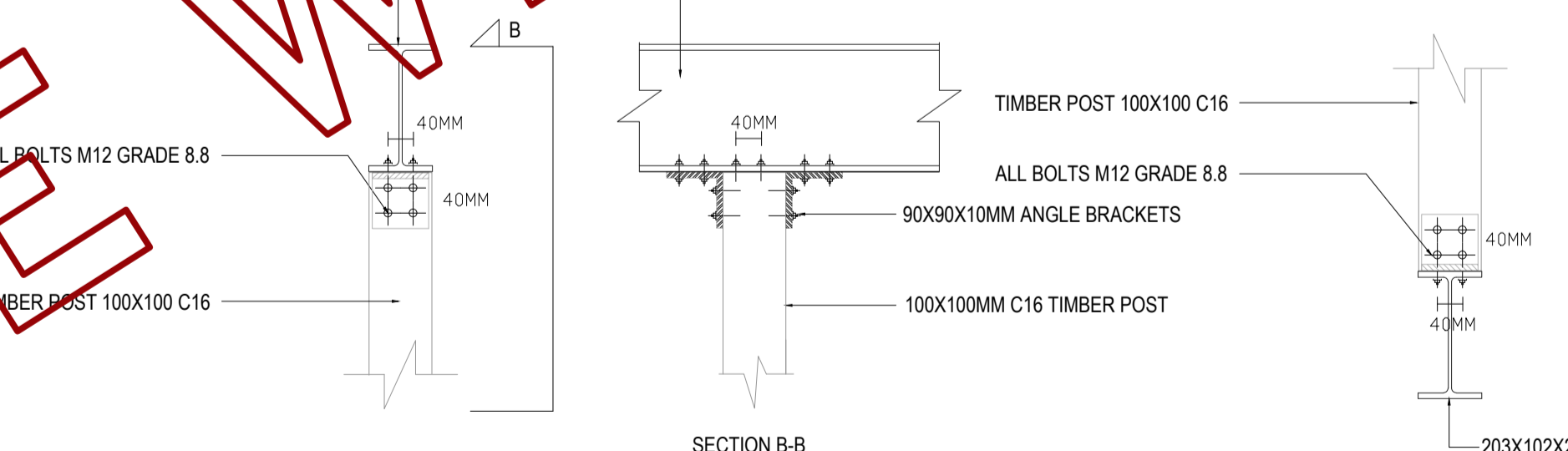
END PLATE CONNECTION BETWEEN BEAM 7 & BEAM 12 1:10



END PLATE CONNECTION BETWEEN BEAM 7 & COLUMN C11:10

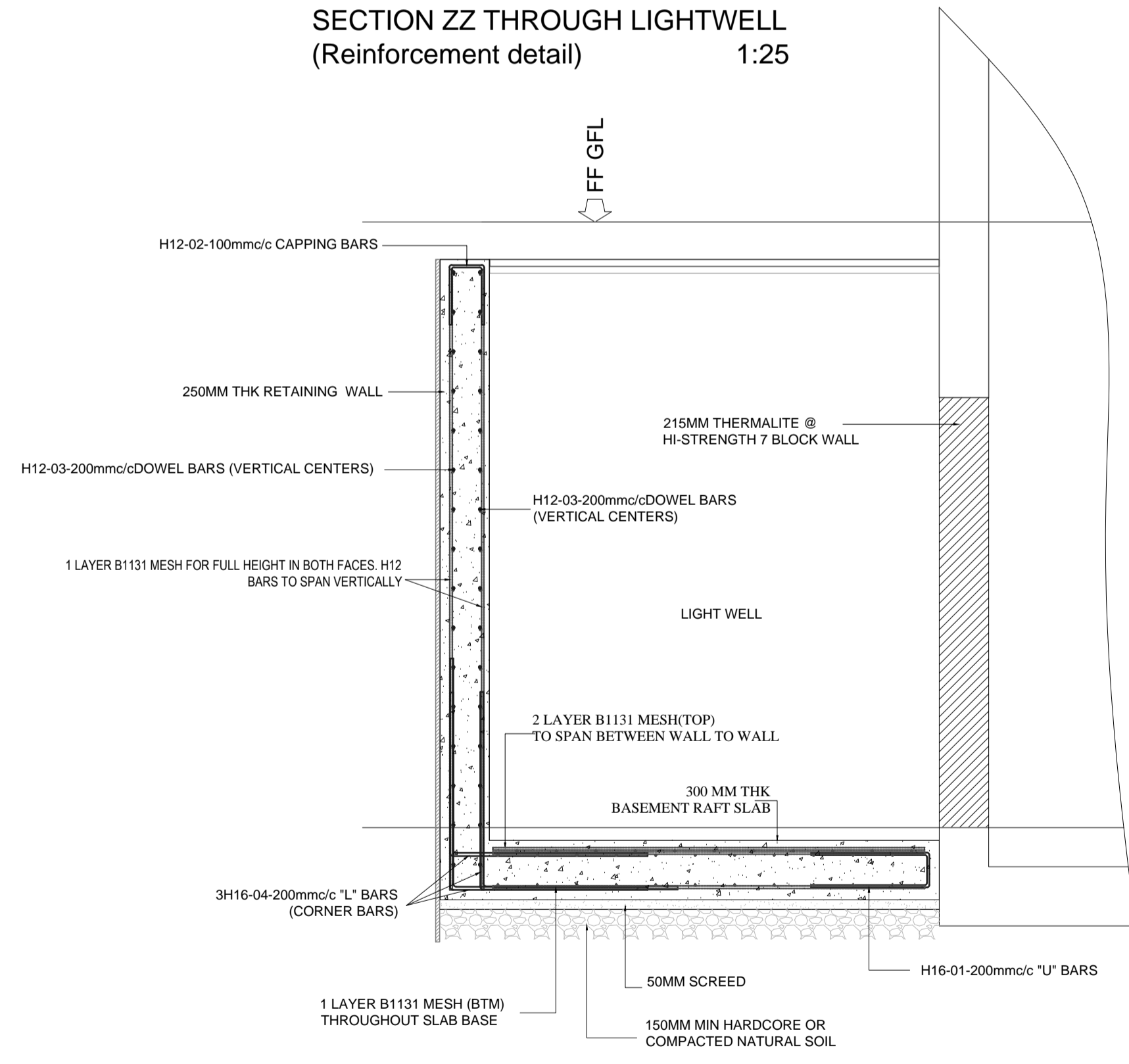


STEEL BEAM SUPPORT DETAILS 1:10



TIMBER POST CONNECTION TO BEAM USING 90X90X10MM EQUAL CLEAT ANGLES 1:10

SECTION ZZ THROUGH LIGHTWELL (Reinforcement detail) 1:25



APPROVED FOR CONSTRUCTION

All measurements to be checked on site and not scaled from this drawing.
 Any discrepancies to be reported to The White House Design LTD.
 Party wall (etc) act 1997 to be agreed with adjoining neighbours prior to commencing.
 All works to the satisfaction of local authority inspector.
 No deviation from these drawing what so ever,
 unless agreed in writing with The White House Design LTD.

DESCRIPTION
 BASEMENT EXTENSION, GROUND FLOOR SIDE EXTENSION & INTERNAL ALTERATIONS

THE WHITE HOUSE DESIGN LTD
 CONSULTING CIVIL AND STRUCTURAL ENGINEERS
 7 PROGRESS BUSINESS CENTRE
 WHITTLE PARKWAY SLOUGH BERKSHIRE SL1 6DQ
 TEL: 01628 660 444
 FAX: 01628 660 555

SITE ADDRESS:

REVISIONS		
DATE:		DRAWN BY:
SCALE:		CHECKED BY:
DRAWING TITLE: BUILDING CONTROL		DRAWING NUMBER: